

LYNK II

(950-0025)

805-0040 LYNK II VICTRON (SOLAR) MANUAL

1.0 AUDIENCE, SAFETY, MESSAGES, AND WARNINGS	3
1.1 Audience	3
1.2 Warning, Caution, Notice, and Note Messages	3
1.3 General Warnings	4
1.4 Safe Handling Procedures	4
1.5 Personal Protective Equipment	5
2.0 Documentation	5
3.0 Overview	6
3.1 System Overview	6
3.2 Compatibility	7
3.3 Minimum Battery System Capacity	8
4.0 CAN Hardware Termination and CAN Out PIN Configurations	9
4.1 LYNK II CAN Termination	9
4.2 LYNK II CAN Out - RJ45 PIN Assignments for Victron Devices using VE.can	9
4.2.1 VE.CAN PIN Assignments	10
5.0 Installing and Connecting LYNK II to the VE.Can Network	11
5.1 Networking Discover Lithium Batteries with LYNK II	11
5.2 Connecting LYNK II to the VE.Can Network	12
6.0 Enabling LYNK II to Communicate with Victron Devices	13
6.1 Victron Open-Loop Configuration	14
6.1.1 Victron Open-loop Inverter-Charger Configuration Procedure	14
6.1.2 Victron Open-loop MPPT Charge Controller Configuration Procedure	16
6.2 Setting the LYNK II Communication Protocol for Victron Energy Devices	17
6.2.1 Victron Protocol Configuration Procedure	17
6.3 Victron Closed-Loop Configuration	18
6.3.1 Victron Closed-loop Configuration Procedure	18
6.4 Configurable Closed-Loop Settings	19
6.4.1 Saving the Configurable Closed-Loop Settings	21

Introduction

This Application Note provides information about integrating LYNK and AEBus network-enabled Discover Lithium Batteries using the LYNK II Communication Gateway with Victron inverter-chargers.

1.0 AUDIENCE, SAFETY, MESSAGES, AND WARNINGS

1.1 Audience

Configuration, installation, service, and operating tasks should only be performed by qualified personnel in consultation with local authorities having jurisdiction and authorized dealers. Qualified personnel should have training, knowledge, and experience in:

- Installing electrical equipment
- Applying applicable installation codes
- Analyzing and reducing hazards involved in performing electrical work
- Installing and configuring batteries
- Installing and configuring systems activated by relays

1.2 Warning, Caution, Notice, and Note Messages

Messages in this manual are formatted according to this structure.



Additional information concerning important procedures and features of the product. Read all the instructions before installation, operation, and maintenance.



Important information regarding hazardous conditions.

WARNING

Important information regarding hazardous conditions that may result in personal injury or death.

CAUTION

Important information regarding hazardous conditions that may result in personal injury.

NOTICE

Important information regarding conditions that may damage the equipment but not result in personal injury.

NOTE

Ad hoc information concerning important procedures and features not related to personal injury or equipment damage.

1.3 General Warnings

WARNING

ELECTRIC SHOCK AND FIRE HAZARD

- This equipment must only be installed as specified.
- Do not disassemble or modify the battery.
- If the battery case has been damaged, do not touch exposed contents.
- There are no user-serviceable parts inside.

Failure to follow these instructions may result in death or serious injury.

WARNING

ELECTRIC SHOCK AND FIRE HAZARD

Do not lay tools or other metal parts on top of the battery or across the terminals.

Failure to follow these instructions may result in death or serious injury.

CAUTION

ELECTRIC SHOCK HAZARD

- Do not touch the energized surfaces of any electrical component in the battery system.
- Before servicing the battery, follow all procedures to fully de-energize the battery system.
- Follow the “Safe Handling Procedures” below when working with the battery.

Failure to follow these instructions may result in injury.

1.4 Safe Handling Procedures

Before using the battery and any power electronics, read all instructions and cautionary markings on all components and appropriate sections of their manuals.

- Use personal protective equipment when working with batteries.
- Do not dispose of the battery in a fire.
- Promptly dispose of or recycle used batteries following local regulations.
- Do not disassemble, open, crush, bend, deform, puncture or shred.
- Do not modify, re-manufacture, or attempt to insert foreign objects into the battery, immerse or expose the battery to water or other liquids, fire, explosion, or other hazards.
- Only use the battery for the system for which it is specified.
- Do not lift or carry the battery while in operation.
- When lifting a heavy battery, follow the appropriate standards.
- Only lift, move, or mount following local regulations.
- Take care when handling battery terminals and cabling.

- Only use the battery with a charging system that meets specifications. Using a battery or charger that does not meet specifications may present a risk of fire, explosion, leakage, or other hazards.
- Do not short-circuit a battery or allow metallic conductive objects to contact battery terminals.
- Replace the battery only with another battery that has been qualified for the system. Using an unqualified battery may present a risk of fire, explosion, leakage, or other hazards.
- Do not drop the device or battery. If the device or battery is dropped, especially on a hard surface, and the user suspects damage, take it to a service center for inspection.

1.5 Personal Protective Equipment

When handling or working near a battery:

- Use Personal Protective Equipment, including clothing, glasses, insulated gloves, and boots.
- Do not wear rings, watches, bracelets, or necklaces.

2.0 Documentation

This Application Note provides information about integrating LYNK and AEBus network-enabled Discover Lithium Batteries using the LYNK II Communication Gateway with Victron inverter-chargers.

Before installation and configuration, consult the relevant product documentation, including Manuals, Application Notes, and Installation and Configuration Guides.

Victron Energy Documentation

Visit <https://www.victronenergy.com/> for the most recent version of published documents.

Discover Battery Documentation

Visit <http://discoverbattery.com> for the most recent version of published documents, including Discover Lithium battery user manuals and the LYNK II Installation and Operation Manual (805-0033).

3.0 Overview

This manual provides general settings and is not a comprehensive guide to the programming and configuration of a specific installation. An installation may have unique conditions or use cases that require modification or adaptations of values. Installers must be capable of reviewing and adapting to the specifics of an installation and its specific use case and optimizing settings where needed.

The key steps required to install and configure the LYNK II Communication Gateway with compatible Discover Lithium batteries and power conversion equipment are as follows:

- Review and confirm equipment compatibility and correct sizing.
- Configure the LYNK II CAN out PINs to match the CAN in PINs of the power conversion equipment.
- Mount the LYNK II, connect the Discover battery communication network to either the LYNK Port or AEBus Port and then connect the CAN Out Port to the power conversion equipment's communication network.
- Terminate all networks correctly.
- Set up the open-loop configuration parameters on the power conversion equipment.
- Set the LYNK II using LYNK ACCESS software to the correct protocol to enable closed-loop communication between the Discover batteries and the power conversion equipment.
- Set up the closed-loop configuration parameters on the power conversion equipment.
- Set up user preferences and enable the use case using the power conversion control system.

3.1 System Overview

The LYNK II Communication Gateway unlocks the full potential of a Discover Lithium battery by enabling the internal Battery Management System (BMS) to provide real-time data in a closed-loop configuration to other devices. This configuration allows hybrid inverter-chargers and solar charge controller systems to optimize control over the charging process in solar applications. LYNK II also enables the remote monitoring of Discover Lithium battery SOC and data logging of multiple sites using the data monitoring services offered by off-grid inverter systems.

Discover Lithium batteries must be set up to work with power conversion and monitoring devices in either an open-loop or closed-loop configuration.

In an open-loop configuration, charge and discharge settings are set up manually through the controller for the power conversion device at the time of installation.

In a closed-loop configuration, the BMS of the Discover Lithium battery sends battery status over a network data connection with the power conversion device. Power conversion devices use the Discover Lithium battery BMS data to fine-tune the output of their charger and deliver other functional controls based on battery voltage, temperature, and percent State-of-Charge.

If communication is interrupted between the BMS and Victron inverter-charger, the Victron inverter-charger uses the charge and discharge settings specified for an open-loop configuration.

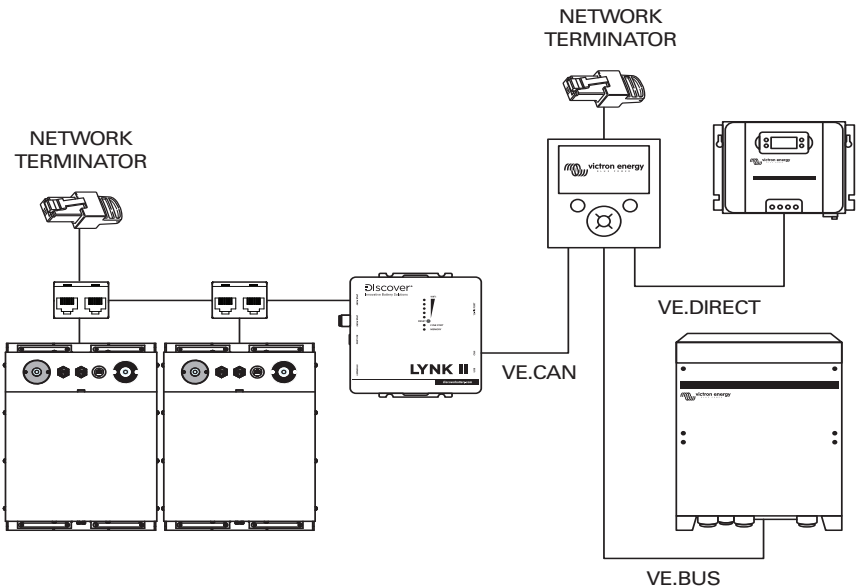


Figure 1. Example LYNK II with Victron Energy devices

3.2 Compatibility

LYNK II Communication Gateway is compatible with the following:

Discover Lithium Batteries

- AES LiFePO_4 : 44-48-3000, 42-48-6650
- HELIOS ESS: 46-24-1560, 46-48-1540

Victron Products

Control Panels:

- Cerbo GX
- Color Control GX
- Venus GX

Used in conjunction with:

- Quattro Inverter-Charger
- Multiplus Inverter-Charger
- SmartSolar MPPT

3.3 Minimum Battery System Capacity

Battery charge and discharge rates are managed automatically by the Discover Lithium Battery and Victron Energy device. Using large solar arrays with battery banks that are too small can exceed the operating limits of the battery to charge and possibly lead to the BMS triggering over-current protection. Either curtail the charging below the operational limit of installed batteries, or the battery capacity must accept the maximum charge current of the system. Derive this value by adding the charge capacities of all inverter-chargers and solar charge controllers in the system. Additionally, battery peak capacity must support the surge requirements demanded by the load attached to the inverter. Match all inverter peak power values with the sum of all battery peak battery current values.

$$\text{Inverter Peak Amps DC} = (\text{Inverter Surge W}) / (\text{Inverter Efficiency}) / (48\text{V: Low Battery Cut-Off})$$

$$\text{Discharge Continuous Amps DC} = (\text{Inverter Continuous W}) / (\text{Inverter Efficiency}) / (48\text{V: Low Battery Cut-Off})$$

120V Models	Inverter Peak Amps DC	Discharge Continuous Max Amps DC	Charger Continuous Max Amps DC	44-48-3000 Minimum per inverter	42-48-6650 Minimum per inverter	46-48-1560 Minimum per inverter
Quattro 48/3000/35 (1)	133	54	35	1	1	2
Quattro 48/5000/70 (2)	220	88	70	1	1	2
Quattro 48/10000/140 (3)	434	174	140	3	2	5

¹ Calculated based on max 6000W at 120 VAC peak output, 2400W at 120VAC continuous output, efficiency 94.0 %, and 35A DC max charging, as published in Victron Data Sheet as of 22-09-01.

² Calculated based on max 10000W at 120 VAC peak output, 4000W at 120VAC continuous output, efficiency 95.0 %, and 70A DC max charging, as published in Victron Data Sheet as of 22-09-01.

³ Calculated based on max 20000W at 120 VAC peak output, 8000W at 120VAC continuous output, efficiency 96.0 %, and 140A DC max charging, as published in Victron Data Sheet as of 22-09-01.

Inverter Peak Amps DC = (Inverter Surge W) / (Inverter Efficiency) / (24V: Low Battery Cut-Off)

Discharge Continuous Amps DC = (Inverter Continuous W) / (Inverter Efficiency) / (24V: Low Battery Cut-Off)

120V Models	Inverter Peak Amps DC	Discharge Continuous Max Amps DC	Charger Continuous Max Amps DC	46-24-1560 Minimum per inverter
MultiPlus 24/2000/50 ⁽⁴⁾	178	71	50	1
MultiPlus 24/3000/70 ⁽⁵⁾	244	107	70	2
Quattro 24/5000/120 ⁽⁶⁾	444	178	120	2

⁴ Calculated based on max 4000W at 120 VAC peak output, 1600W at 120VAC continuous output, efficiency 94.0 %, and 50A DC max charging, as published in Victron Data Sheet as of 22-09-01.

⁵ Calculated based on max 5500W at 120 VAC peak output, 2400W at 120VAC continuous output, efficiency 94.0 %, and 70A DC max charging, as published in Victron Data Sheet as of 22-09-01.

⁶ Calculated based on max 10000W at 120 VAC peak output, 4000W at 120VAC continuous output, efficiency 94.0 %, and 120A DC max charging, as published in Victron Data Sheet as of 22-09-01.

4.0 CAN Hardware Termination and CAN Out PIN Configurations

4.1 LYNK II CAN Termination

NOTICE

Disconnect power and all connections to the LYNK II Communication Gateway before configuring header boards and jumpers.

Jumpers configure termination for the AEBus and LYNK Network and the CAN Out PIN assignments. Follow the LYNK II Installation and Operation Manual (805-0033) to access and configure the header board with jumpers.

Detailed PIN configurations are included in the LYNK II manual and are repeated here for convenience.

NOTE

The LYNK II Communication Gateway terminates the AEBus and LYNK Network by default. Do not remove the termination jumper inside the LYNK II Communication Gateway unless instructed by Discover Battery.

4.2 LYNK II CAN Out - RJ45 PIN Assignments for Victron Devices using VE.can

Assign CAN signals (CAN H, CAN L, CAN GND) to pins of the RJ45 connector by adjusting the jumpers on the header board.

4.2.1 VE.CAN PIN Assignments

CAN Out RJ45 PIN	Header Jumper	RJ45 PIN
CAN L	H1 - 6-8	8
CAN H	H1 - 7-9	7
CAN GND	H3 - 1-3	3

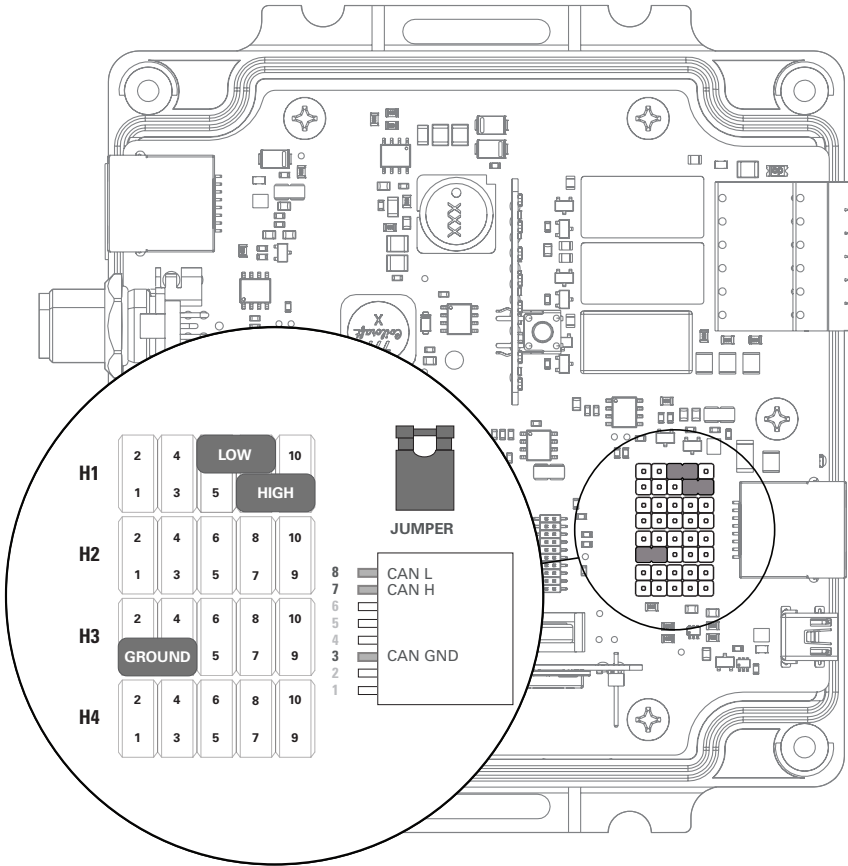


Figure 2. LYNK II PIN assignments for communication with Victron Energy devices

5.0 Installing and Connecting LYNK II to the VE.Can Network

5.1 Networking Discover Lithium Batteries with LYNK II

NOTICE

- Turn OFF all devices before connecting cables.
- Do not plug an AEBus RJ45 network cable or terminator into the 10/100 Ethernet port of the LYNK II.
- Do not connect a CAT5 cable from the AEBus, LYNK, or Ethernet ports of the LYNK II to a WAN or MODEM port of a network router.
- Mixing the LYNK Network with other networks may result in equipment malfunction and damage.

NOTICE

- Unless specified by Discover Battery, do not connect power electronics directly to the LYNK network or AEBus network.

Refer to the LYNK II Installation and Operation Manual (805-0033) for instructions on network layouts, connections, and terminators of compatible Discover Lithium battery models. Some key points are repeated here for convenience.

- Connect at least one battery to the LYNK Port on the LYNK II.
- A network of batteries will communicate as one battery.
- May connect no more than one network of batteries to the LYNK II.
- Proper system function requires network termination – some batteries and devices may auto-terminate.
- LYNK II requires power from one of three possible sources (13-90 VDC power supply, a USB device, or AEBus Port or LYNK Port enabled Discover Lithium battery).
- Discover Lithium batteries must be set to ON to supply power and communicate with LYNK II.

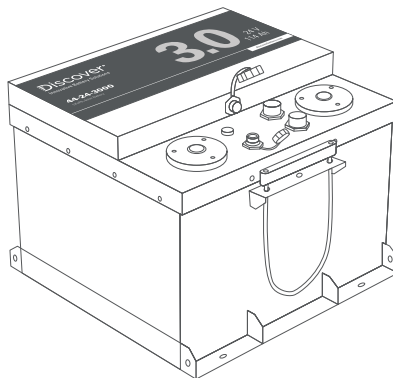


Figure 3. AES Battery

LYNK II is internally terminated. AES batteries are not internally terminated. When using LYNK II on an AEBus network, install a terminator opposite the LYNK II at the far end of the battery network.

NOTE

- AES LiFePO₄ 48 V batteries sold before Jan 1, 2020, will not supply power to LYNK II using the network cable connection. An external 13-90 VDC power source connected to the Phoenix 12-pin connector on LYNK II is required for the AES LiFePO₄ batteries listed below.
 - 42-48-6650 with a serial number before DET424820275xxxx

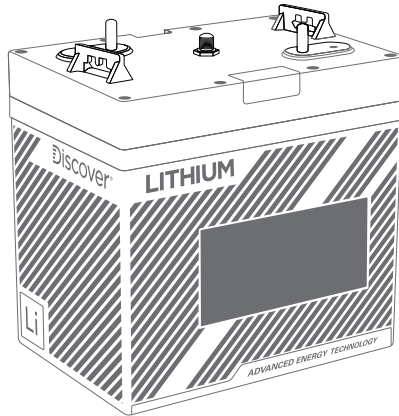


Figure 4. Helios Battery

LYNK II and HELIOS ESS batteries are both internally terminated. When installing LYNK II with Helios batteries, no external termination is required.

5.2 Connecting LYNK II to the VE.Can Network

Before connecting LYNK II to the VE.Can network ensure that the Victron GX device uses firmware version 2.89 or later. Also, ensure the CAN out pins on the LYNK II are configured correctly. Refer to **4.0, CAN Hardware Termination and CAN Out PIN Configurations**.

Insert one end of a CAT5 communication cable into the LYNK II CAN out port and the other end into one of the two VE.Can ports (A-B) on the back of the Victron device. As the LYNK II is internally terminated, the external terminator provided with the GX is not required.

NOTE

- Ensure that the Victron GX device is using firmware version 2.89 or later.

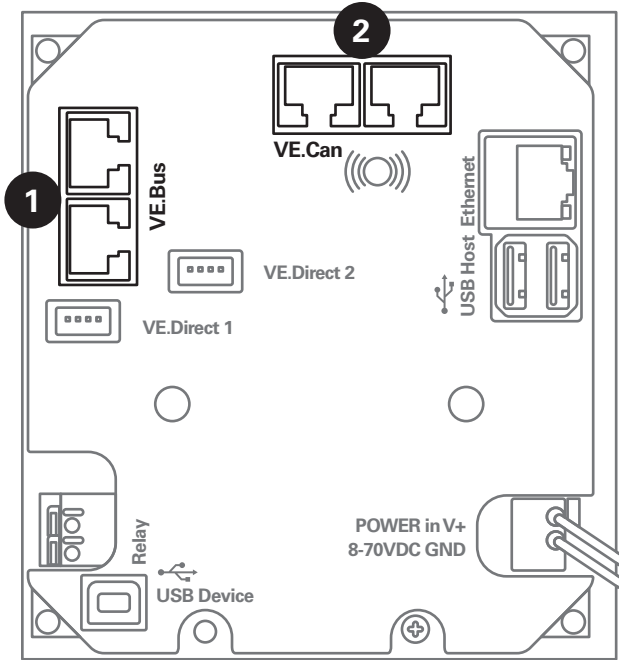


Figure 5. Victron GX device

1. VE.Bus: CAT5 socket for connecting to the Victron inverter.
2. VE.Can: CAT5 socket for connection to LYNK II CAN Out.
 - Insert a terminator in the other VE.Can port to terminate the CAN network.

6.0 Enabling LYNK II to Communicate with Victron Devices

When the LYNK II is in a closed-loop network using the CANopen protocol, LYNK II will transmit real-time parameters from the Discover Lithium battery, including voltage, current, temperature, state of charge, and fault conditions to a Victron Energy device. LYNK II also transmits charge voltage and current requests from the Discover Lithium battery to the Victron device.

The Victron inverter-charger defaults to open-loop (voltage-based) settings when there is a break in communication with LYNK II. Therefore, as a precautionary measure, it is recommended to program the Victron inverter-charger with the correct voltage-based parameters before setting up the system to operate in a closed-loop configuration.

LYNK ACCESS software for 64-bit Windows 10 is required to configure LYNK II settings for closed-loop CAN communication with Victron Energy devices.

6.1 Victron Open-Loop Configuration

You will need the latest firmware on all connected devices. The following presumes familiarity with VE Configure software. After setting the voltage-based open-loop parameters using the VE Configure 3 software, 'send' all parameters to the inverter-charger and GX device and then restart the GX device.

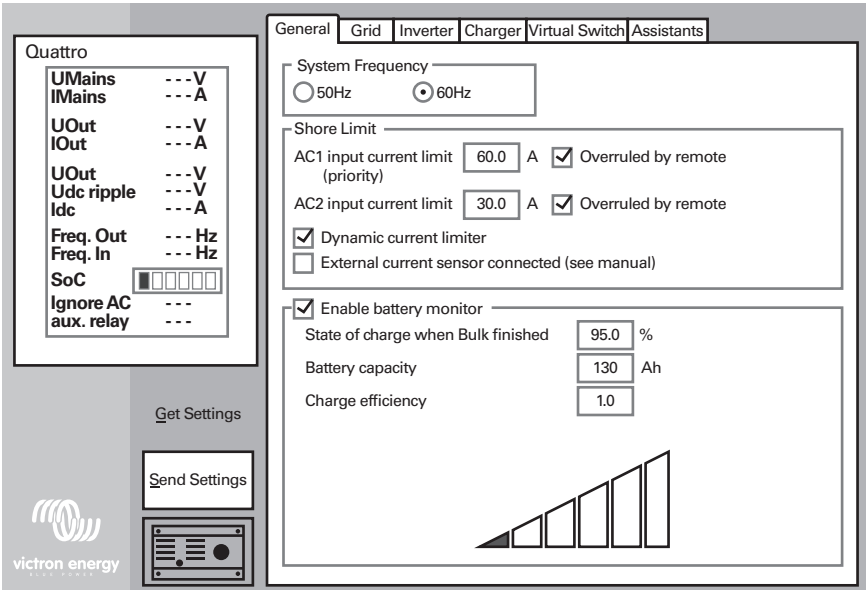


Figure 6. VE Configure 3 Software

6.1.1 Victron Open-loop Inverter-Charger Configuration Procedure

Refer to the latest Discover Battery documentation for battery values and the latest Victron documentation for details on menu navigation and the setup procedure.

1. Set the Discover Lithium batteries to ON and set the inverter to ON.
2. Connect your computer to the Victron GX device or inverter-charger.
3. On the computer, start the VE Configure 3 software configuration tool.
4. Enable and disable parameter values according to the tables below.
5. Send the parameters to the Victron inverter-charger and GX device.
6. Restart the inverter-charger or GX device.

VE Configure 3 > General Tab

General Tab	44-48-3000	42-48-6650	46-24-1540	46-48-1540
[AC1] Overruled by remote ⁽¹⁾	Enable	Enable	Enable	Enable
[AC2] Overruled by remote ⁽¹⁾	Enable	Enable	Enable	Enable
Dynamic Current Limiter	Enable	Enable	Enable	Enable
External Current Sensor Connected	Disable	Disable	Disable	Disable
Enable battery monitor	Enable	Enable	Enable	Enable
SOC when Bulk finished ⁽²⁾	95%	95%	95%	95%
Total battery capacity (per battery installed)	Installed x 57 Ah	Installed x 130 Ah	Installed x 60 Ah	Installed x 30 Ah
Charge efficiency ⁽²⁾	1.00	1.00	1.00	1.00

VE Configure 3 > Inverter Tab

Inverter Tab	44-48-3000	42-48-6650	46-24-1540	46-48-1540
DC input low shutdown ⁽³⁾	48.0 V	48.0 V	24.0 V	48.0 V
DC input low restart ⁽⁴⁾	52.8 V	52.8 V	26.8 V	52.8 V
DC input low pre-alarm ⁽⁵⁾	49.5 V	49.5 V	24.75 V	49.5 V
Enable AES ⁽⁶⁾	Disable	Disable	Disable	Disable

VE Configure 3 > Charger Tab

Charger Tab	44-48-3000	42-48-6650	46-24-1540	46-48-1540
Enable charger	Enable	Enable	Enable	Enable
Battery Type ⁽²⁾	Blank	Blank	Blank	Blank
Lithium batteries ⁽²⁾	Enable	Enable	Enable	Enable
Charge curve ⁽²⁾	Select: Fixed	Select: Fixed	Select: Fixed	Select: Fixed
Absorption Voltage ⁽²⁾	55.2 V	55.2 V	27.6 V	55.2 V
Float Voltage ⁽²⁾	53.6 V	53.6 V	26.8 V	53.6 V
Charge Current	Installed x 57A	Installed x 130 A	Installed x 60 A	Installed x 30 A
Repeated absorption time ^{(2) (7)}	1.0 < 3.0 Hr	1.0 < 3.0 Hr	1.0 < 3.0 Hr	1.0 < 3.0 Hr
Repeated absorption interval ⁽²⁾	7.0 Days	7.0 Days	7.0 Days	7.0 Days
Absorption time ^{(2) (7)}	1.0 < 3.0 Hr	1.0 < 3.0 Hr	1.0 < 3.0 Hr	1.0 < 3.0 Hr

⁽¹⁾ Enabled is recommended.

⁽²⁾ Precautionary settings ignored during normal operation and communication with Discover Lithium Battery.

⁽³⁾ The lowest operating voltage allowed. Increase voltage as required.

- (4) Restart voltage after DC input low shutdown. Recommend setting to the minimum value (minimum varies according to the DC Input low shutdown value).
- (5) 49.5 V / 24.75 V value (approximately 10% SoC) will trigger a low battery warning. Increase or decrease as preferred.
- (6) 'Enable AES' has no relation to the AES Battery. Refer to Victron manuals for information on the AES setting and function.
- (7) The recommended minimum is 1.0 hour. Multiple batteries may require a longer time to achieve a smooth completion of charge.

NOTE

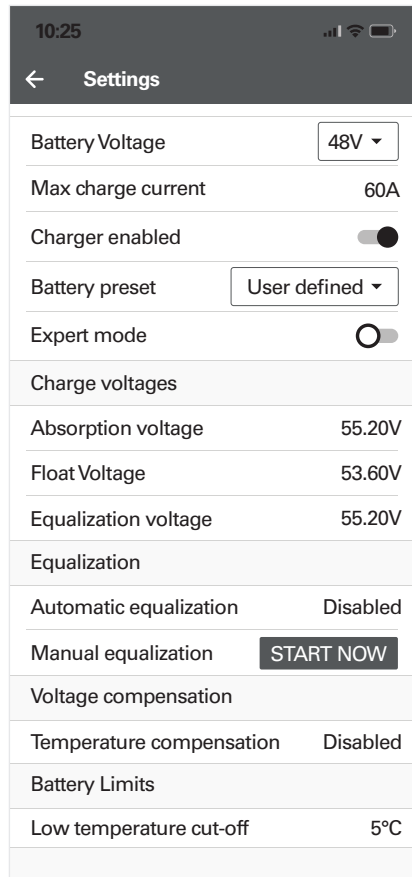
- Confirm the Float Voltage after installation of any Victron 'Assistants', and if necessary, set the Float Voltage back to 26.8 V / 53.6 V.

6.1.2 Victron Open-loop MPPT Charge Controller Configuration Procedure

During normal operation, the MPPT charge characteristics are governed by the Victron GX device in a closed-loop configuration based on data and charge requests provided by the connected Discover Lithium battery.

The Victron MPPT defaults to open-loop (voltage-based) settings when there is a break in communication with LYNK II. Therefore, as a precautionary measure, it is recommended to program the Victron MPPT with the correct voltage-based parameters (below) before setting up the system to function in a closed-loop configuration.

The Victron Connect Bluetooth App is used to configure, monitor, and diagnose Victron MPPT Charge Controller products equipped with Bluetooth.



**Figure 7. Victron Connect
(Bluetooth App)**

Victron Connect Bluetooth App > Device List > Victron MPPT > Settings > Battery

MPPT Battery Settings Menu	44-48-3000	42-48-6650	46-24-1540	46-48-1540
Battery Voltage	48 V	48 V	24 V	48 V
Max Charge Current ⁽¹⁾	Installed x 57 A	Installed x 130 A	Installed x 60 A	Installed x 30 A
Charger Enabled	Enabled	Enabled	Enabled	Enabled
Battery Preset	User Defined	User Defined	User Defined	User Defined
Absorption Voltage	55.2 V	55.2 V	27.6 V	55.2 V
Maximum Absorption Time ⁽²⁾	1.0 < 3.0 Hr	1.0 < 3.0 Hr	1.0 < 3.0 Hr	1.0 < 3.0 Hr
Float Voltage	53.6 V	53.6 V	26.8 V	53.6 V
Equalization Voltage	55.2 V	55.2 V	27.6 V	55.2 V
Auto Equalization	Disabled	Disabled	Disabled	Disabled
Temperature Compensation	Disabled	Disabled	Disabled	Disabled
Low Temperature Cut off	< 0°C (32°F)	< 0°C (32°F)	< 0°C (32°F)	< 0°C (32°F)

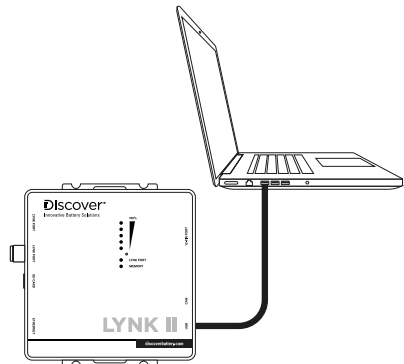
⁽¹⁾ May be set to a lower value if necessitated by charger controller size.

⁽²⁾ Duration of absorption period after the bulk charge interval. The recommended minimum is 1.0 hour. Multiple batteries may require a longer time to achieve a smooth completion of charge.

6.2 Setting the LYNK II Communication Protocol for Victron Energy Devices

6.2.1 Victron Protocol Configuration Procedure

1. Download the current version of LYNK ACCESS software from the Discover Battery website to get the most up-to-date suite of available protocol configurations.
2. Using a USB cable with a Type-B mini-plug, connect the 64-bit Windows 10 device running LYNK ACCESS software to the USB port on LYNK II. Ensure LYNK II is powered and connected to the correct Victron COM port (VE.Can).



3. Connect the LYNK II. In LYNK ACCESS, confirm that only one LYNK device is connected to the computer.
4. In LYNK ACCESS, select the LYNK tab for optional configuration and settings. Select the blue gear icon in the upper right area of the CAN Settings tile.
5. Select the pre-configured Victron protocol to complete the closed-loop configuration for LYNK II, and click SAVE.

NOTE

- Saving configuration changes in LYNK ACCESS automatically forces the LYNK II to restart.

6.3 Victron Closed-Loop Configuration

6.3.1 Victron Closed-loop Configuration Procedure

Refer to the latest Discover Battery documentation for battery values and the latest Victron documentation for menu navigation and details on the setup procedure.

1. Set the Discover Lithium batteries to ON and the Victron GX device to ON.
2. Using a touch screen or other user interface of the GX device, set the VE.Can port and CAN-Bus BMS communication rate to 250 kbit/s.

Device List > Settings > Services > VE.Can port > CAN-bus profile

- Select **VE.Can & CAN-bus BMS (250 kbit/s)**

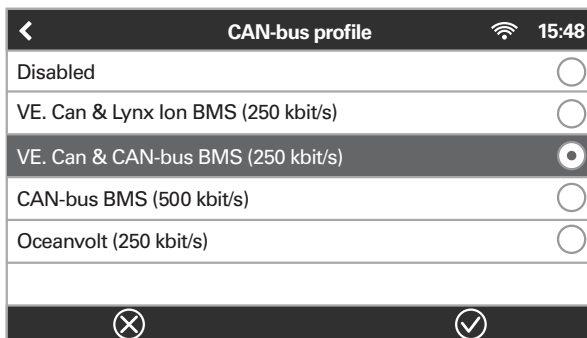


Figure 8. CAN-bus Profile

3. Return to the Device List, and the Discover Lithium Battery should now appear as one of the devices.

Device List >

Device List		15:48
Discover AES	98% 53.12V -0.8A	>
Quattro 48/5000/70-2x100 120V	Inverting	>
SmartSolar Charger MPPT 250/60	0W	>
Notifications		>
Settings		>
Pages		Menu

Figure 9. Device List

NOTE

- If Discover does not appear on the Device List, confirm that the CAT5 communication cable is a normal patch type, not a cross-over type. Use manufactured cables to avoid bad crimps and reduce the risk of a poor connection.

4. To confirm that all batteries in the network are communicating with the Victron system, review the actual battery parameters. If multiple batteries are connected, a single entry shows the total limits of all the batteries.

Device List > Discover [Battery] > Parameters

Parameters		15:48
Charge Voltage Limit (CVL)	55.9V	
Charge Current Limit (CCL)	60.0A	
Discharge Current Limit (DCL)	60.0A	
Pages		Menu

Figure 10. Battery Parameters

6.4 Configurable Closed-Loop Settings

During normal operation, the battery's charge parameter limits are set by the BMS and communicated by the Victron GX device to the inverter-charger and MPPT.

To optimize the performance of a Victron system, manually set the following DVCC menu items using the Victron GX device and reboot the system.

Device List > Settings > DVCC

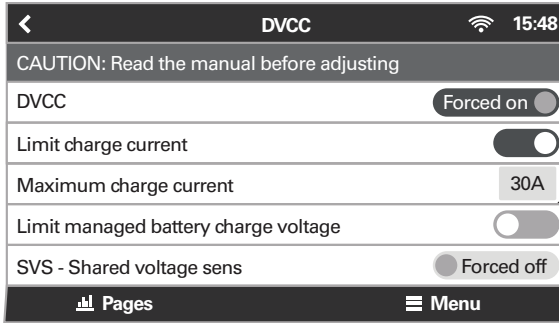


Figure 11. DVCC Menus 1/2

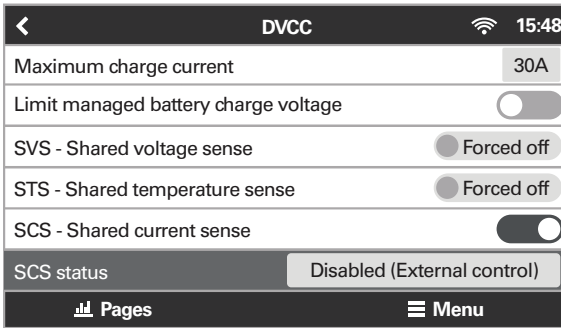


Figure 12. DVCC Menus 1/2

DVCC Menu	Setting
DVCC (Distributed Voltage and Current Control)	Forced on
Limit charge current	ON ⁽¹⁾
Maximum charge current	Installed number of Discover Lithium batteries x their rated Maximum Charger current, or a lower value if system curtailment is required.
Limit Managed Battery Charge Voltage	Disable
SVS - Shared voltage sense	Forced off ⁽²⁾
STS - Shared temperature sense	Forced off
SCS - Shared current sense	ON
SCS status	(Displays the current status)

⁽¹⁾ Limit charge current works across the whole system. MPPTs are automatically prioritized over the mains. In cases where the BMS requests a maximum charge current different from the user-configurable setting, it uses the lesser of the two.

⁽²⁾ SVS should be set to OFF (Victron support has reported instances of conflicts when SVS is set to ON with a Lithium BMS).

6.4.1 Saving the Configurable Closed-Loop Settings

Device List > Settings > General > Reboot?

After all DVCC menu items have been set, reboot the system.

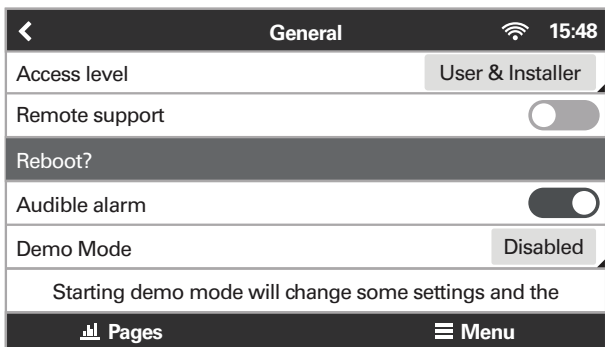


Figure 13. Rebooting the System

NOTE

- To avoid conflicting network information and data, do not use a Victron BMV battery monitor when using the LYNK Communication Gateway.

NOTES

