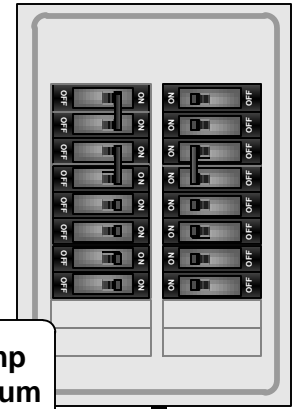
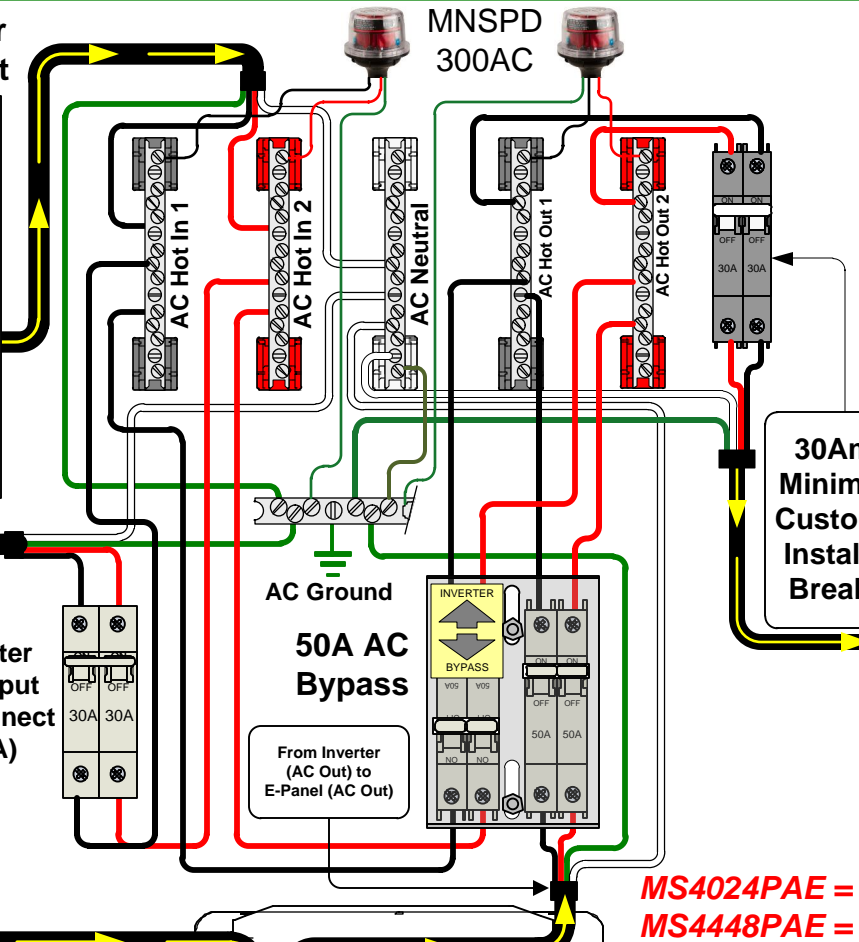
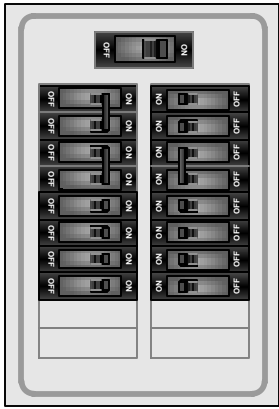


Utility or Generator
120/240VAC Output

MNSPD
300AC

120/240VAC
Load Panel



30Amp
Minimum
Customer
Installed
Breaker

From
E-Panel
(AC out)
to
Load
Center

From
E-Panel
(AC In)
to
Inverter
(AC In)

Inverter
AC Input
Disconnect
(30A)

AC Ground
50A AC
Bypass

From Inverter
(AC Out) to
E-Panel (AC Out)

*MS4024PAE = MNEDC250 Breaker
MS4448PAE = MNEDC175 Breaker*

Optional Breakers/Disconnects
(6 spaces max @ 13mm)

AC WIRING

DC WIRING

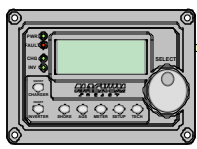
*Classic 150 =
MNEDC100 Battery Breaker
MNEDC70 PV Breaker*

*Classic 200 =
MNEDC80 Battery Breaker
MNEDC60-300 PV Breaker*

*Classic 250 =
MNEDC70 Battery Breaker
MNEDC60-300 PV Breaker*

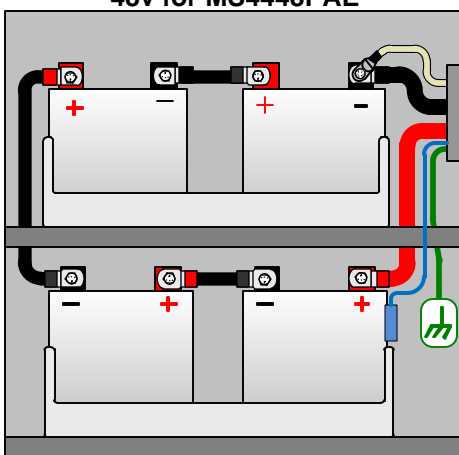
**ALL CLASSIC
WIRING IS #4**

Remote Control ARC50



Battery
Temperature
Sensor

Battery Bank
24v for MS4024PAE
48v for MS4448PAE

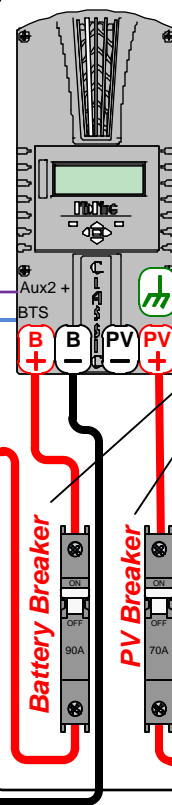


DC Shunt

DC -
Buss

Main Battery
Shutoff

DC +
Buss



Battery Breaker

PV Breaker

PV +
Buss

DC Ground

MNSPD
300DC

Note AC and DC Grounds go to the Same
BusBar, Drawn Separate for clarity